

optris® PI NetBox

Miniaturized PC for use with PI series



General specifications

Operating temperature	0 - 50°C
Storage temperature	-20...75°C
Relative humidity	10...95%, non-condensing
Material (housing)	Anodized aluminium
Dimensions	113 x 57 x 39 mm
Weight	280 g
Vibration	IEC-2-6: 3G, 11 - 200 Hz, any axis
Shock	IEC-2-27: 50G, 11 ms, any axis
Operating system	Windows XP Professional

Electrical specifications

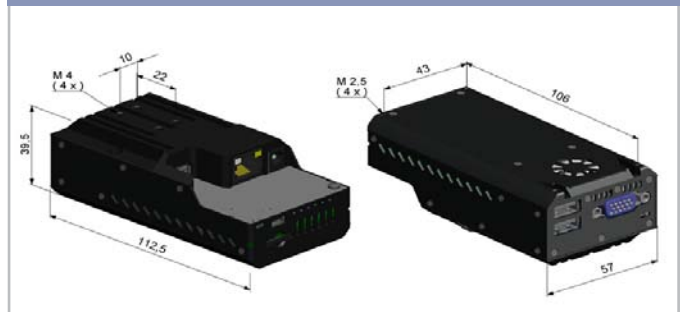
Power supply	8...48 VDC or Power over Ethernet (PoE/ 1000BASE-T)
Power consumption	9.5 W (+ additional 2.5 W for PI camera)
Cooling	Passive (active with integrated fan for ambient temperatures above 50°C)
Board	COM Express® mini embedded board
Processor	Intel® Atom™ Z530/ 1.6 GHz
Hard disc drive	2 GB SSD
RAM	512 MB (DDR2, 533 MHz)
Ports	3x USB 2.0 1x Mini-USB 2.0 (slave mode) VGA/ TV _{out} Ethernet (Gigabit Ethernet)
Extensions	MicroSDHC card (up to 32 GB)
Additional functions	6x status LEDs (L1-L6)

FEATURES

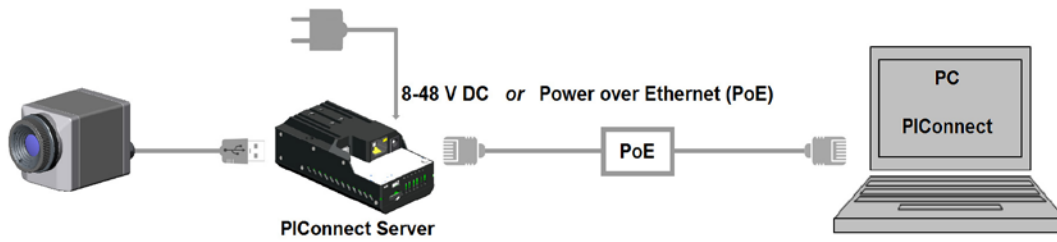
- Miniaturized PC for PI160/ 4xx stand-alone operation or for cable extension
- Supports 120 Hz (PI160) and up to 70 Hz (PI4xx) frame rate
- Integrated watchdog feature
- Additional operation of customer specific software
- Processor: Intel® Atom™ Z530 @ 1.6 GHz
2GB SSD, 512 MB RAM
- Ports: 3x USB 2.0, 1x Mini-USB in slave mode, VGA/ Video, Gigabit Ethernet, SD-Card (up to 32 GB)
- Operating system: Windows XP Professional
- Wide power range: 8-48 VDC or Power over Ethernet (PoE)
- Status LEDs
- Low power consumption (max. 9.5 W)
- Up to 20 m USB high temperature cable, up to 100 m ethernet cable expandability (PoE)



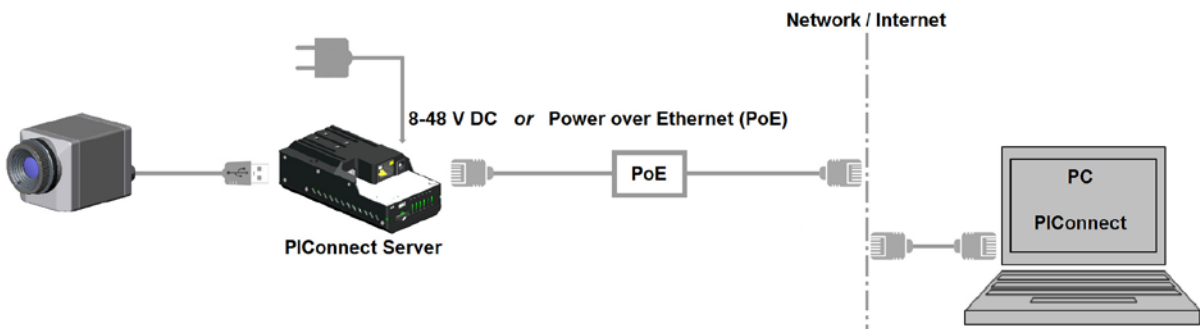
Dimensions



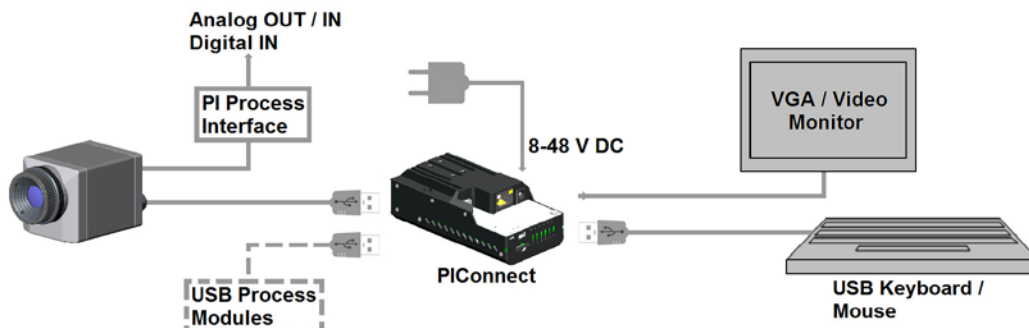
Ethernet direct communication



Ethernet communication / networking



Stand-alone operation



Protective housing dimensions

